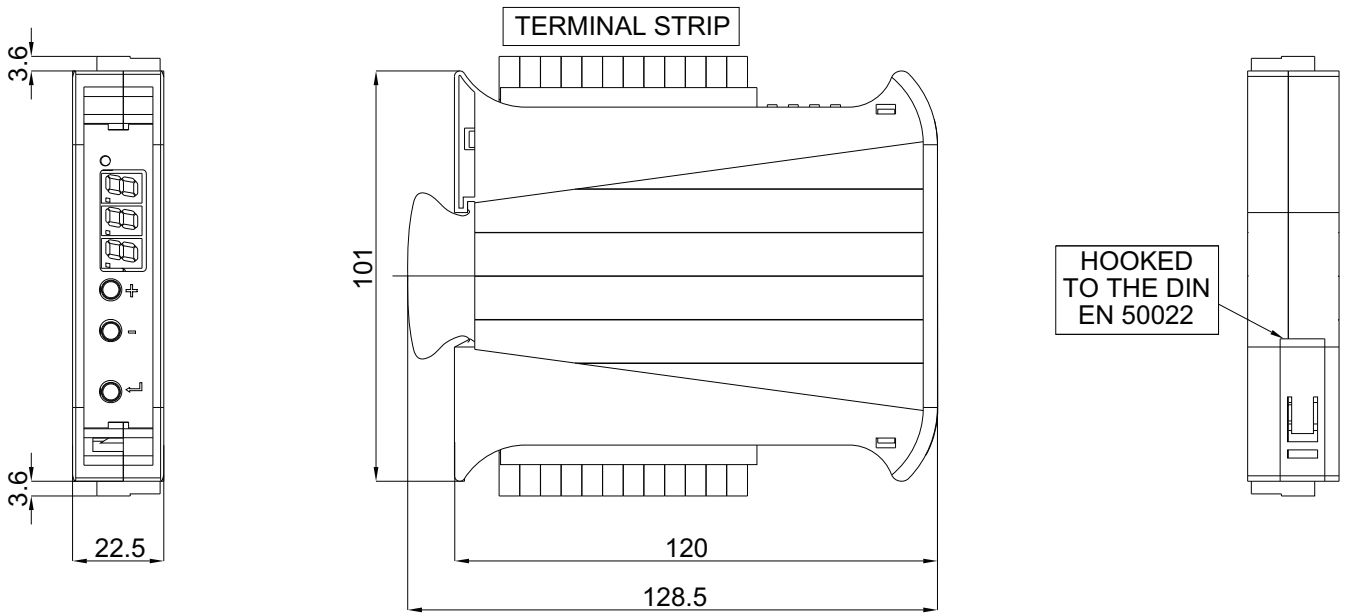


Electrical characteristics

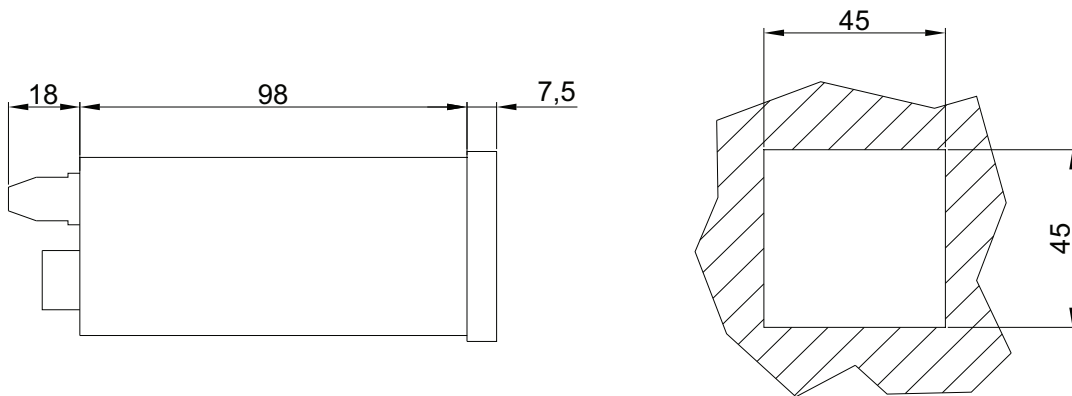
Description		Electrical characteristics	Terminals number
Power supply		24Vdc (18÷30Vdc MAX) max. absorbed current: 250mA (excluded the remote display)	Pin 11, 12
Load cells power supply	2 outputs for load cells in mV power supply	6,8Vdc Total maximum load: 80mA (max 4 x 350Ω cells in parallel)	Pin 4, 5 Pin 9, 10
	2 outputs for load cells in mA power supply	24Vdc Total maximum load: 100mA	Pin 1, 4 Pin 6, 9
Inputs	Double analog input for load cells	Selectable through jumpers: 0÷60mV or 4÷40mA (input impedance: 70Ω)	Pin 1÷10
Outputs	1 "pure" analog output proportional to the tension used for adjustment	Selectable in F. 3 0÷10V, $R_{load} = 2K\Omega$ min or 4÷20mA, $R_{load} = 250\Omega$ max (self-limit: 3,5÷23mA)	Pin 13, 14
	1 analog output with digital filter programmable for remote displaying or adjustment (see F.13, page 11)	0÷10V, $R_{load} = 2K\Omega$ min Resolution: 12 BIT (2,5mV)	Pin 15, 16
	2 N.O. relay digital optoisolator outputs (contacts are closed when the respective alarms are activated)	24Vdc/Vac Max. current: 100mA Isolation voltage: 3750V _{rms}	Pin 19÷22
	1 output for remote display power supply	24Vdc Max. current: 250mA	Pin 17, 18
Earth	At which connect all shields of cables and the earthing of the plant		Pin 23, 24
Working temperature		0÷50°C	

Mechanical dimensions

PX



Display DL-48 (optional)



display DL-48 dimensions

hole dimensions